



中国驰名商标
www.dzem-china.com



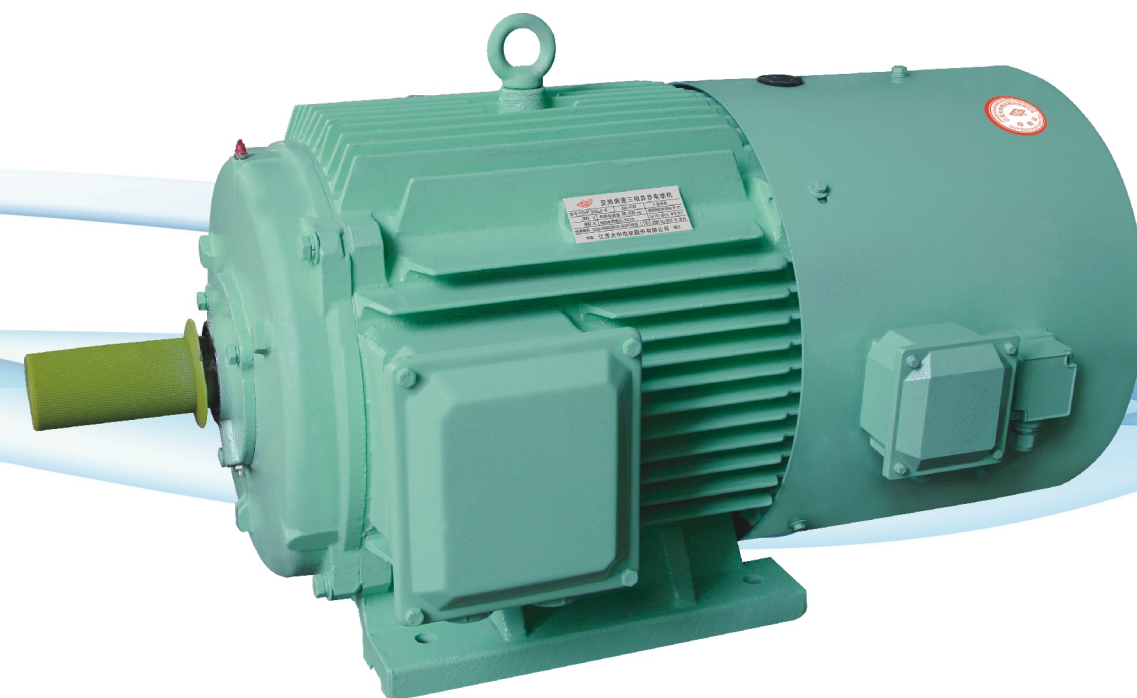
大中电机走向世界的品牌

Da Zhong Motor A brand tends towards World

Y₂VP MOTORS

系列变频调速电机

Y2VP Series Frequency Variable Speed Regulating Motors



江苏大中电机股份有限公司 Jiangsu DaZhong Electric Motor Co.,Ltd

地 址：中国江苏省靖江市季市大中路66-68号

电 话：0086-523-84542453 84542326 84542309

传 真：0086-523-84542280 84542257

ADD:No.66-68,Dazhong Road,Jishi Town,Jingjiang City, Jiangsu Province,P.R.China

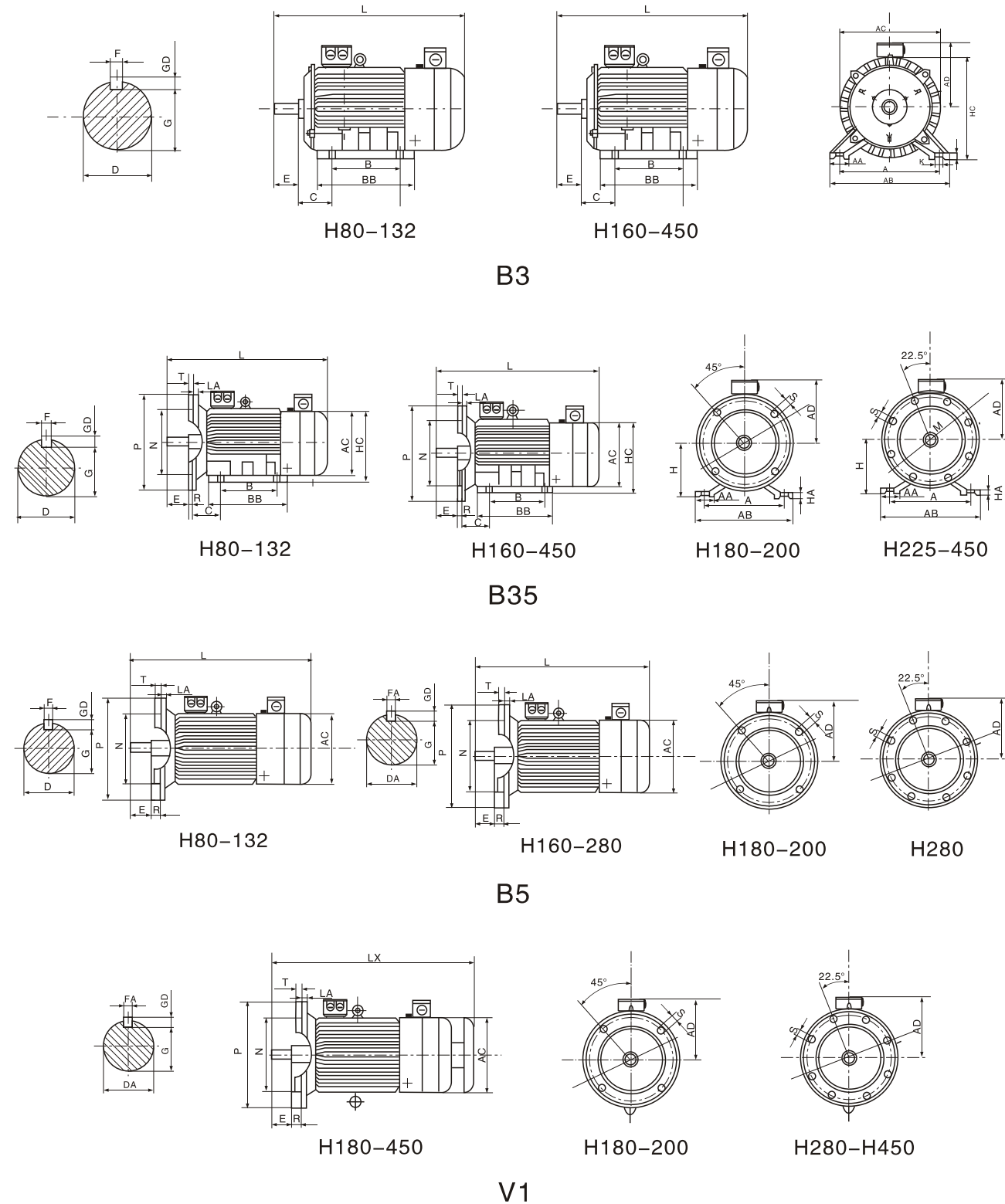
TEL:0086-0523-84542453 84542326 84542309

FAX:0086-0523-84542280 84542257

E-mail:jjdzjd@pub.tz.jsinfo.net



安装及外形尺寸 Overall Dimensions



型号 model	P	A	AA	AB	AC	B	BB	C	D	E	F	G	GD	H	HA	K	L	LA	M	N	P	S	T	LX
80	2-8	125	34	165	175	100	135	50	19	40	6	15.5	6	80	10	10	400	12	165	130	200	12	3.5	-
90S	2-8	140	36	180	195	100	140	56	24	50	8	20	7	90	12	10	410	12	165	130	200	12	3.5	-
90L	2-8	140	36	180	195	125	165	56	24	50	8	20	7	90	12	10	435	12	165	130	200	12	3.5	-
100L	2-8	160	40	205	215	140	185	63	28	60	8	24	7	100	12	12	490	13	215	180	250	14.5	4	-
112M	2-8	190	45	230	240	140	180	70	28	60	8	24	7	112	15	12	500	14	215	180	250	14.5	4	-
132S	2-8	216	55	270	275	140	190	89	38	80	10	33	8	132	18	12	550	14	265	230	300	14.5	4	-
132M	2-8	216	55	270	275	178	230	89	38	80	10	33	8	132	18	12	590	14	265	230	300	14.5	4	-
160M	2-8	254	65	320	330	210	260	108	42	110	12	37	8	160	20	14.5	700	15	300	250	350	18.5	5	-
160L	2-8	254	65	320	330	254	304	108	42	110	12	37	8	160	20	14.5	755	15	300	250	350	18.5	5	-
180M	2-8	279	70	355	380	241	315	121	48	110	14	42.5	9	180	22	14.5	805	15	300	250	350	18.5	5	865
180L	2-8	279	70	355	380	279	355	121	48	110	14	42.5	9	180	22	14.5	845	15	300	250	350	18.5	5	905
200L	2-8	318	70	395	420	305	375	133	55	110	16	49	10	200	25	18.5	900	17	350	300	400	18.5	5	970
225S	4-8	356	75	435	470	286	375	149	60	140	18	53	11	225	28	18.5	930	20	400	350	450	18.5	5	1020
225M	2	356	75	435	470	311	395	149	55	110	16	49	10	225	28	18.5	925	20	400	350	450	18.5	5	1015
225M	4-8	356	75	435	470	311	395	149	60	140	18	53	11	225	28	18.5	950	20	400	350	450	18.5	5	1040
250M	2	406	80	490	510	349	445	168	60	140	18	53	11	250	30	24	1005	22	500	450	550	18.5	5	1110
250M	4-8	406	80	490	510	349	445	168	65	140	18	58	11	250	30	24	1005	22	500	450	550	18.5	5	1110
280S	2	457	85	550	560	368	490	190	65	140	18	58	11	280	35	24	1120	22	500	450	550	18.5	5	1235
280S	4-8	457	85	550	560	368	490	190	75	140	20	67.5	12	280	35	24	1120	22	500	450	550	18.5	5	1235
280M	2	457	85	550	560	419	540	190	65	140	18	58	11	280	35	24	1175	22	500	450	550	18.5	5	1290
280M	4-8	457	85	550	560	419	540	190	75	140	20	67.5	12	280	35	24	1175	22	500	450	550	18.5	5	1290
315S	2	508	120	630	645	406	570	216	65	140	18	58	11	315	45	28	1305	24	600	550	660	24	6	1425
315S	4-8	508	120	630	645	406	570	216	80	170	22	71	14	315	45	28	1415	24	600	550	660	24	6	1535
315M	2	508	120	630	645	457	680	216	65	140	18	58	11	315	45	28	1335	24	600	550	660	24	6	1455
315M	4-8	508	120	630	645	457	680	216	80	170	22	71	14	315	45	28	1445	24	600	550	660	24	6	1565
315L	2	508	120	630	645	508	680	216	65	140	18	58	11	315	45	28	1335	24	600	550	660	24	6	1455
315L	4-8	508	120	630	645	508	680	216	80	170	22	71	14	315	45	28	1445	24	600	550	660	24	6	1565
355M	2	610	120	730	710	560	760	254	75	140	20	67.5	12	355	52	28	1650	24	740	680	800	24	6	1790
355M	4-8	610	120	730	710	560	760	254	95	170	25	86	14	355	52	28	1680	25	740	680	800	24	6	1820
355L	2	610	120	730	710	630	760	254	75	140	20	67.5	12	355	52	28	1650	25	740	680	800	24	6	1790
355L	4-8	610	120	730	710	630	760	254	95	170	25	86	14	355	52	28	1680	25	740	680	800	24	6	1820
355 1/2/3	2	630	135	760	770	800	1140	224	80	170	22	71	14	355	52	35	2040	28	840	780	900	24	6	2180
355 1/2/3	4-8	630	135	760	770	800	1140	224	110	210	28	100	16	355	52	35	2080	28	840	780	900	24	6	2220
400M	2	686	125	812	810	630/710	1095	280	85	170	22	76	14	400	52	35	2040	28	940	880	1000	28	6	2100
400M	4-8	686	125	812	810	630/710	1095	280	120	210	32	109	18	400	52	35	2080	28	940	880	1000	28	6	2140
400L	2	710	135	840	860	900	1140	224	85	170	22	76	14	400	52	35	2110	28	940	880	1000	28	6	2170
400L	4-8	710	135	840	860	900	1140	224	120	210	32	109	18	400	52	35	2150	28	940	880	1000	28	6	2210
450 1/2/3	2	800	190	990	960	1000	1300	250	95	170	25	86	14	450	52	42	2270	33	1080	1000	1150	28	6	2320
450 1/2/3	4-8	800	190	990	960	1000	1300	250	130	210	32	119	18	450	52	42	2350	33	1080	1000	1150	28	6	2400

注：L尺寸为不带编码器时的尺寸。Note: Dimension L is the size without encoder.



功率与机座号的对应关系表 Corresponding relation sheet between power and machine base number.

机座号 machine base number	同步转速 synchronous rotation(r/min)			
	3000	1500	1000	750
	功率 power(kw)			
80M1	0.75	0.55	-	-
80M2	1.1	0.75	0.55	-
90S	1.5	1.1	0.75	-
90L	2.2	1.5	1.1	0.55
100L1	3	2.2	1.5	0.75
100L2		3		1.1
112M	4	4	2.2	1.5
132S1	5.5	5.5	3	2.2
132S2	7.5			
132M1	-	4	5.5	3
132M2		7.5		
160M1	11	11	7.5	4
160M2	15			
160L	18.5	15	11	7.5
180M	22	18.5	-	-
180L	-	22	15	11
200L1	30	30	18.5	15
200L2	37		22	
225S	-	37	-	18.5
225M	45	45	30	22
250M	55	55	37	30
280S	75	75	45	37
280M	90	90	55	45
315S	110	110	75	55
315M	132	132	90	75
315L1	160	160	110	90
315L2	200	200	132	110
355M1	220	220	160	132
355M2	250	250	200	160
355L	315	315	250	200
3551	355	355	280	250
3552	400	400	315	280
3553	450	450	355	315
400M1	500	500	400	355
400M2	560	560	450	
400L	630	630	500	400
4501	710	710	560	450
4502	800	800	630	500
4503	900	900	710	560
4504	-	-	800	630

注：S、M、L后面的数字1、2分别代表同一机座号和转速下不同的功率。
Remark: 1,2 following S, M, L respectively denote different powers at a machine base number and rotary speed.

额定转矩、标称功率与调频范围的对应关系表 Corresponding relation sheet of rated torque, nominal power and frequency modulation range

功率 power (kw)	同步转速 synchronous rotation(r/min) 3000 额定转矩 rated torque(N-m)	恒转矩 调频范围 frequency modulation range of constant torque (Hz)	恒功率 调频范围 frequency modulation range of constant power (Hz)	同步转速 synchronous rotation(r/min)			恒转矩 调频范围 frequency modulation range of constant torque (Hz)	恒功率 调频范围 frequency modulation range of constant power (Hz)
				1500	1000	750		
-	-	-	-	额定转矩 rated torque(N-m)			-	-
0.55	-	5-50	50-100	3.5	5.25	-	5-50	50-100
0.75	2.4			4.8	7.2	9.6		
1.1	3.5			7.0	10.5	14.0		
1.5	4.8			9.6	14.3	19.1		
2.2	7.0			14.0	21.0	28.0		
3	9.6			19.1	28.7	38.2		
4	12.7			25.5	38.2	50.9		
5.5	17.5			35.0	52.5	70.0		
7.5	23.9			47.8	71.6	95.5		
11	35.0			70.0	105.1	140.1		
15	47.8			95.5	143.3	191.0		
18.5	58.9			117.8	176.7	235.6		
22	70.0			140.1	210.1	280.1		
30	95.5			191.0	286.5	382.0		
37	117.8			235.6	353.4	471.1		
45	143.3			286.5	429.8	573.0		
55	175.1			350.2	525.3	700.3		
75	238.8			477.5	716.3	955.0		
90	286.5			573.0	859.5	1146.0		
110	350.2			700.3	1050.5	1400.7		
132	420.2	840.4	1260.6	1680.8				
160	509.3	1018.7	1528.0	2037.3				
200	636.7	1273.3	1910.0	2546.7				
250	795.8	1591.7	2387.5	3183.3				
315	1002.8	2005.5	3008.2	4011.0				
355	1130.1	2260.2	3390.2	4520.3				
400	1273.3	2546.7	3820.0	5093.3				
450	1432.5	2865.0	4297.5	5730.0				
500	1591.7	3183.3	4775.0	6366.7				
560	1782.7	3565.3	5348.0	7130.7				
630	2005.5	4011.0	6016.5	-				
710	2260.2	4520.3	6780.5	-				
800	2546.7	2093.3	-	-				
900	2865.0	5730.0	-	-				

机座号 machine base number	80-132	>132-225	>225-450
振动速度 oscillation speed (mm/s)	1.3	1.8	2.3



噪音表 sound meter

功率 power (kw)	同步转速 synchronous rotation(r/min)			
	3000	1500	1000	750
	声功率级 Sound power rating dB(A)			
0.18	-	-	-	62
0.25	-	-	-	62
0.37	-	-	64	66
0.55	-	68	64	66
0.75	77	68	67	69
1.1	77	71	67	69
1.5	82	71	71	71
2.2	82	74	75	74
3	86	74	79	74
4	87	75	79	78
5.5	90	81	79	78
7.5	90	81	83	78
11	96	85	83	80
15	96	85	83	83
18.5	96	86	86	83
22	99	86	86	83
30	102	89	86	85
37	102	91	88	86
45	102	91	90	86
55	103	93	90	92
75	104	96	95	92
90	104	96	95	92
110	106	103	95	92
132	106	103	95	100
160	109	107	102	100
185	109	107	102	100
200	109	107	102	100
250	113	111	102	105
280	113	111	108	105
315	113	111	108	105
355	114	112	108	105
400	118	115	112	109
450	118	115	112	109
500	118	118	115	109
560	119	118	115	112
630	119	118	115	112
710	119	118	115	112
800	119	118	115	112
900	119	118	115	112



轴承型号、出线孔尺寸 Bearing model, conduit hole dimension

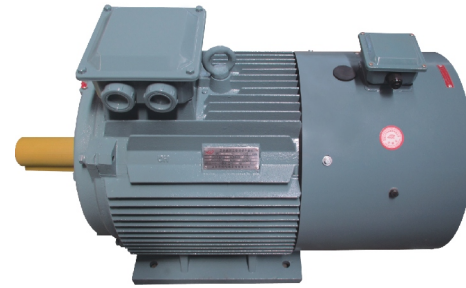
轴承型号 Bearing model			
型号 model	极数 Pole Number	D-end	N-end
80	2, 4, 6, 8	6204-2RS/C3	6204-2RS/C3
90	2, 4, 6, 8	6205-2RS/C3	6205-2RS/C3
100	2, 4, 6, 8	6206-2RS/C3	6206-2RS/C3
112	2, 4, 6, 8	6206-2RS/C3	6206-2RS/C3
132	2, 4, 6, 8	6208-2RS/C3	6208-2RS/C3
160	2, 4, 6, 8	6309/C3	6309/C3
180	2, 4, 6, 8	6311/C3	6311/C3
200	2, 4, 6, 8	6312/C3	6312/C3
225	2, 4, 6, 8	6313/C3	6313/C3
250M	2, 4, 6, 8	6314/C3	6314/C3
280S	2, 4, 6, 8	6316/C3	6316/C3
315	2	6316/C3	6316/C3
315	4, 6, 8	6319/C3	6319/C3
355M/L	2	6319/C3	6319/C3
355M/L	4, 6, 8	6322/C3	6319/C3
355 1/2/3	2	6319/C3	6319/C3
355 1/2/3	4, 6, 8	6324/C3	6324/C3
400M/L	2	6319/C3	6319/C3
400M/L	4, 6, 8	6326/C3	6326/C3
450 1/2/3/4	2	6320/C3	6320/C3
450 1/2/3/4	4, 6, 8	6328/C3	6328/C3



轴流风机功率、电流、风量、出线孔 Axial-flow fan power, current, air flow, conduit hole

	电制 Electrical	功率 power (w)	风量 air flow (m ³ /h)	电流 current (A)
G-80A	三相380V,50Hz	28	58	0.1
G-90A	三相380V,50Hz	30	91	0.1
G-100A	三相380V,50Hz	45	142	0.15
G-112A	三相380V,50Hz	50	229	0.21
G-132A	三相380V,50Hz	60	337	0.24
G-160A	三相380V,50Hz	80	609	0.3
G-180A	三相380V,50Hz	110	686	0.35
G-200A	三相380V,50Hz	170	1679	0.5
G-225A	三相380V,50Hz	170	1786	0.5
G-250A	三相380V,50Hz	250	1813	0.75
G-280A	三相380V,50Hz	320	2415	1.1
G-315A	三相380V,50Hz	550	2820	1.57
G-355A	三相380V,50Hz	750	4000	2.03
G-355XLA	三相380V,50Hz	1100	4000	2.9
G-400A	三相380V,50Hz	1500	1000	3.7
G-450A	三相380V,50Hz	3000	11000	6.3

型号 model	出线孔 conduit hole
Y ₂ VP80-450	M20×1.5



说明：1、H355XL~H450L机座为低压大功率变频电机，此样本中参数仅作参考，以订货协议及外型图中的性能参数及安装尺寸为准。

2、额定电压、频率或调频范围，冷却方式等具有特殊要求的订货，以双方进行的技术协议为准。

Note: 1) H355XL~H450L is low-voltage large power frequency conversion motor, the parameter of this catalogue is only for reference, the performance parameter & installation dimension of purchasing agreement and external diagram should be taken as valid and binding.

2) For ordering with special requirement such as rated voltage, frequency or frequency modulation range, cooling method etc, it is subject to the mutual technical agreement.



工厂方针

发展科技拓市场
强化质量铸品牌
严格管理增效益
诚信为本誉天下

企业精神

诚信、团结、敬业、创新